



Ionics' Plug Computer (Sheevaplug™) Development Kit Brief

Retail Version of Plug Computer:



Developer's Kit:

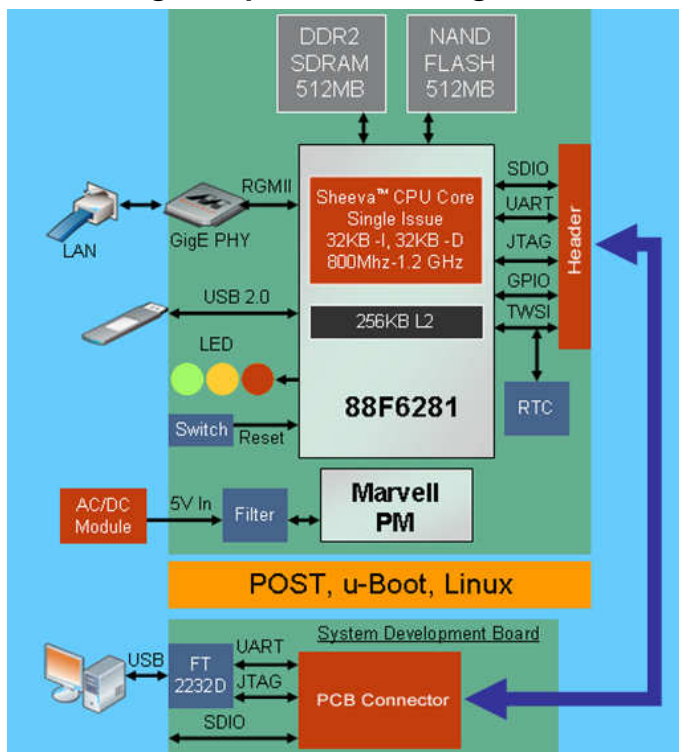


For developers, a development kit is available which comprises the Developer's version of the Plug Computer and an add-on USB-based debug connection (with access to UART and JTAG) which enables simple debugging and reprogramming.

Included with the Development Kit Hardware are:

- Bundled Linux distribution, Developer's SDK & Documentation
- Community support

Ionics Plug Computer Block Diagram:



Product Specifications	
General	<ul style="list-style-type: none"> Linux based Giga network Server with Application Software for small Business
Potential Applications	<p><i>The application range is bounded only by the imagination of the developer community.</i></p> <ul style="list-style-type: none"> Dedicated Home File Server, Multimedia server for DLNA-enabled players (e.g., iPhone, Sony PSP, others) Multimedia server for Web proxy, enabling fast, cached access to your favorite web sites, Storage of home video surveillance streams, Automate downloads and uploads to your favorite photo sharing web sites, Anti-virus Many more.....
CPU	<ul style="list-style-type: none"> Marvell Sheeva 88F6281 RISC Architecture ARM processor 1.2 GHz 16 kilobytes of instruction cache (I-cache) 16 kilobytes of data cache (D-cache) 256 KB L2 cache Eight-channel Generic DMA controller RTC with battery
Memory and Storage	<ul style="list-style-type: none"> 512 MB DDR2, 400 MHz 512 MB NAND Flash
I/O Ports	<ul style="list-style-type: none"> One USB 2.0 port. Overload protection. Type-A connector One Giga LAN port supports 1000 Base-T, 100 Base-T, and 10 Base-T. Shielded RJ-45 connector with built-in LEDs Marvell 88E1118R Gbit PHY
Power Supply	<ul style="list-style-type: none"> Built-in AC high efficiency 13W power supply (Average power consumption ~ 5W) Power input: 90-240VAC, 50-60 Hz Recessed Reset switch US, EU & UK models available
LEDs	<ul style="list-style-type: none"> Tri-color: Power- Green LED / Fail- Red LED/ Critical - Amber LED Link bi-color Green/Yellow LED integrated in LAN port
Software Support	<ul style="list-style-type: none"> Linux 2.6.23 Boot-loader Custom image, MAC address, Unique ID may be loaded during production
Regulatory Compliance	<ul style="list-style-type: none"> Safety: UL (pending) EMI/EMC: FCC, CE (pending) RoHS
Warranty	<ul style="list-style-type: none"> 1 year standard. (See applicable limited warranty terms and conditions*). Extended warranty available**
Physical Dimensions <i>(Ultra Compact Form Factor with large memory capacity of 512 MB)</i>	<ul style="list-style-type: none"> US: 55(W) x 77(L) x 41.5(D) mm / 1.97(W) x 3.03(L) x 1.63(D) inch EU: 55(W) x 77(L) x 41.5+20.3(D) mm / 1.97(W) x 3.03(L) x 1.63+0.8(D) inch UK: 55(W) x 77(L) x 41.5+7(D) mm / 1.97(W) x 3.03(L) x 1.63+0.28(D) inch
Characteristics	<ul style="list-style-type: none"> ABS enclosure with internal heat sink Black or White -High Gloss Finish for high aesthetics appeal (custom ID is optional)
Environmental	<ul style="list-style-type: none"> Temperature range: <ul style="list-style-type: none"> - Operating: 0°C to 40°C (32°F to 104°F); - Storage: -25°C to 70°C (-13°F to 158°F) Humidity: 5% to 95% non-condensing
Accessories (optional)	<ul style="list-style-type: none"> CAT6 1.5 m LAN Cable standard USB Cable
Development Kit version <i>(for Software Developers)</i>	<ul style="list-style-type: none"> Special version of Retail product Additional Development Kit extender casing with access to UART and JTAG Bundled Linux distribution, Developer's SDK & Documentation Community support
Custom Retail Version <i>(With access to UART)</i>	<ul style="list-style-type: none"> Special version of Retail Kit (mass pro version) with port to that allows access to UART without disassembly of Housing Console cable to access the UART of Custom Retail Version of Plug Computer

❖ Specifications are subjected to change without prior notice

❖ Certifications pending

❖ Customer may use the original design and/or with optional own customized Logo or optionally specify a different ID design

** to be advised

About Ionics: Ionics EMS is the leading and most experienced electronics manufacturing services provider in the Philippines. It has a proven track record in a broad range of services like design, engineering, manufacturing and logistics solutions in the computing, telecommunications, consumer, automotive, industrial and medical fields, as well as ODM capabilities.

URL: www.ionics-ems.com

Email: sales@ionics-ems.com